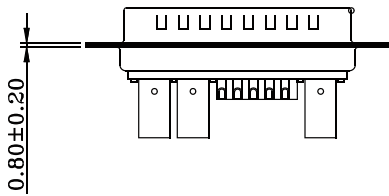
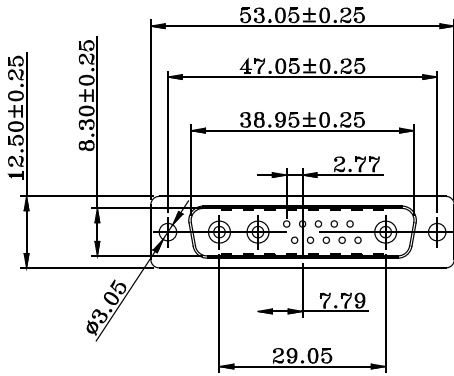
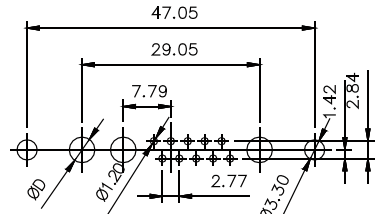
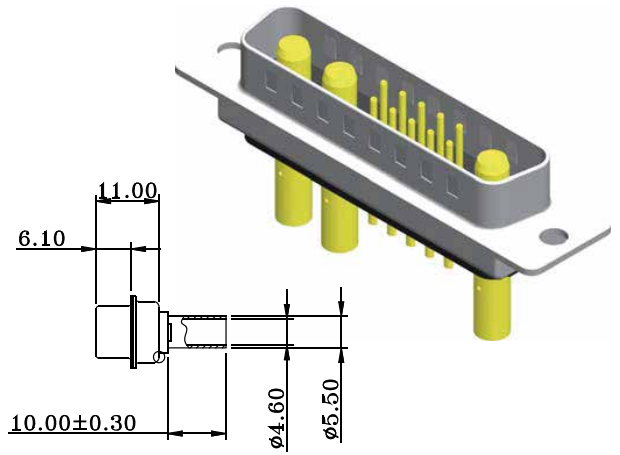


Power Crimp Type

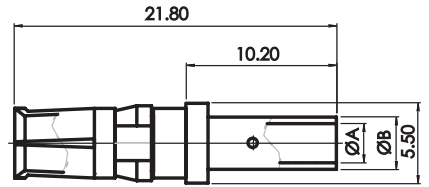
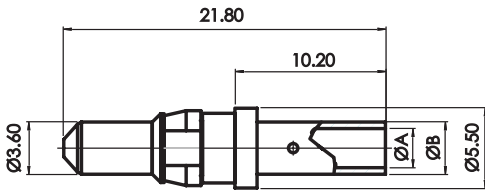


MALE



PCB LAYOUT

FEMALE



Current Rating	Dimension (mm) ØA	Dimension (mm) ØB
10A	1.7	2.5
20A	2.7	3.6
30A	3.5	4.4
40A	4.6	5.5

ORDER INFORMATION

